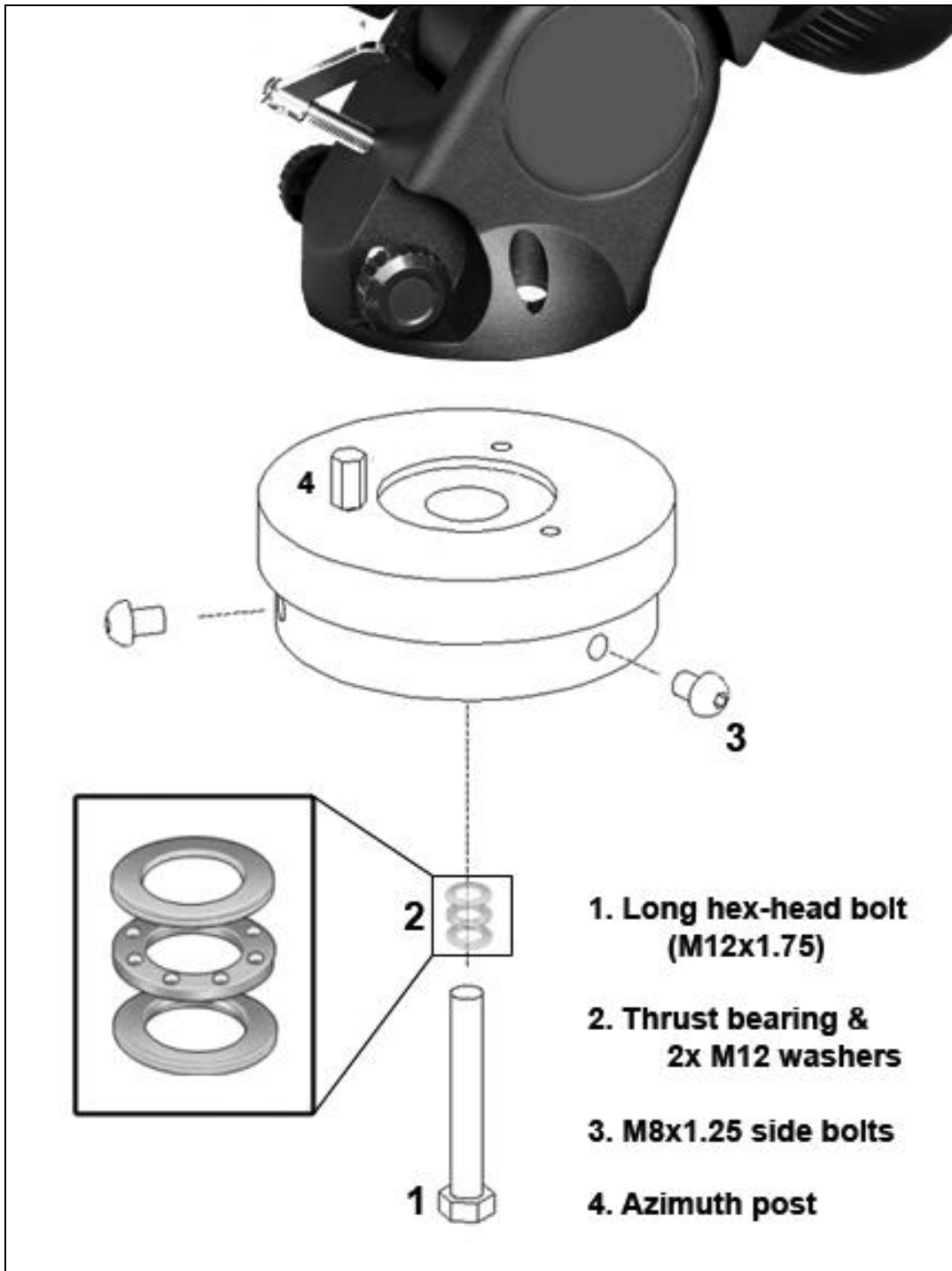


This page provides installation instructions for the *Optical Supports* EQHD mount adapter. For more information regarding the specifications of this product please contact *Optical Supports* directly.

ANATOMY OF THE EQHD

INSTALLATION

Your EQHD comes preassembled and ready to be installed onto the base of your mounthead. Please reference the preceding diagram as you follow these steps to complete the installation.

1. Begin with your mounthead resting on a flat working surface. It may be necessary to prop up the bottom end so there's a couple of inches gap between the working surface and the edge of the mounthead's base.
2. Retract both of the azimuth adjustment screws on the mounthead so the EQHD's azimuth post can easily insert between them.
3. Place the EQHD onto the mounthead's base with the azimuth post inserted into the mounthead's base between the adjustment screws.
4. Slide the two washers and thrust bearing onto the long hex-head bolt. Make sure the thrust bearing is between the two washers as shown above.
5. Insert the long hex-head bolt into the bottom of the EQHD adapter and push it upwards until it contacts the threaded hole in the mounthead's base.
6. Tighten the hex-head bolt until the EQHD is securely attached to the mounthead. The thrust bearing should be tightly sandwiched between the two washers. Be careful not to over-tighten the bolt. You can check this in subsequent steps.
7. Your mounthead and EQHD can now be installed as a single unit onto your Losmandy tripod or pier. Align the three side bolts with the slots on your tripod or pier hub and carefully set it down.
8. Rotate the mounthead until the side bolts are locked into the L-shaped slots and tighten each bolt.

OPERATION & USAGE

The EQHD adapter has been designed to securely attach your mounthead to a Losmandy tripod or pier while preserving the functionality of the azimuth adjustment screws. If the thrust bearing you installed in the previous section is loaded properly it allows the mounthead to turn in azimuth while being firmly attached to the EQHD. You want the azimuth screws to operate with some effort required to turn them but not so much that pliers are required to budge the screws. Check this by advancing one of the azimuth screws on the mounthead until it makes contact with the EQHD azimuth post. Continue advancing the same azimuth screw and observe the mounthead's slow rotation. If you are unable to rotate the mounthead using one of the azimuth screws, or if operating the azimuth screw requires a great deal of effort, you may have over-tightened the large hex-head bolt. If the mounthead feels wobbly or unstable as you freely turn the azimuth screw then the large hex-head bolt may not be tight enough. Make any adjustments necessary until you are able to make azimuth adjustments with reasonable effort turning the screws.

Once your EQHD adapter is properly installed it will perform its role passively and require very little in terms of maintenance. From time to time it may be wise to check the tightness of the large hex-head bolt, ensuring that the thrust bearing is securely sandwiched between the two washers.

It is recommended that you leave the EQHD attached to your mounthead when it is removed from your tripod or pier for storage. This will expedite the process of setting up and tearing down your equipment. Removing the EQHD adapter from your mounthead is only necessary if you wish to go back to using the original tripod that came with your mount.